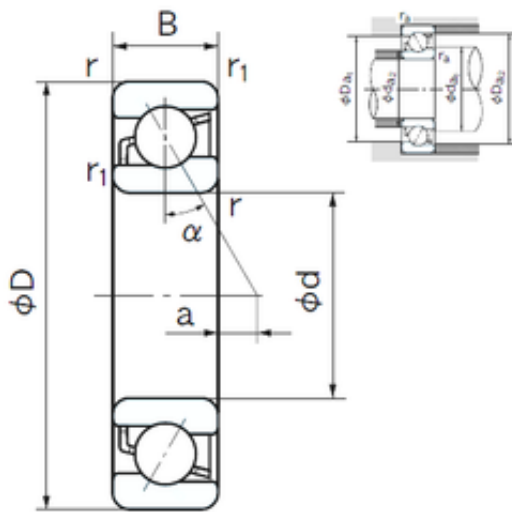




China 6203 Bearing Supplier



NACHI 7002 7002CYDU/GL angular contact ball bearing with high precision

Bearing No. 7002

7002 Bearing 2D drawings and 3D CAD models

| | |
|-------------------------------|------------------|
| Size | 15x32x9 mm |
| Bore Diameter | 15 mm |
| Outer Diameter | 32 mm |
| Width | 9 mm |
| d | 15 mm |
| D | 32 mm |
| B | 9 mm |
| C | 9 mm |
| Angle (°) | 30 ° |
| a | 2.3 mm |
| r min. | 0.3 mm |
| r1 min. | 0.15 mm |
| da min. | 17 mm |
| Da max. | 30 mm |
| ra max. | 0.3 mm |
| Weight | 0.035 Kg |
| Basic dynamic load rating (C) | 6,15 kN |
| Basic static load rating (C0) | 3,4 kN |
| (Grease) Lubrication Speed | 18000 r/min |
| Configuration | Single Row |
| Enclosure | Open |
| Bore Type | Cylindrical Bore |
| Bore Size | 15 mm |
| Outside Diameter | 32 mm |
| Width | 9 mm |



China 6203 Bearing Supplier

| | |
|-------------------------|------------|
| Fillet Radius/Chamfer | 0.3 mm |
| r1 | 0.2 mm |
| Dynamic Load Rating | 6,150 N |
| Static Load Rating | 3,400 N |
| Limiting Speed - Grease | 18,000 rpm |
| Limiting Speed - Oil | 24,000 rpm |
| da1 (min) | 17 mm |
| da2 (min) | 17 mm |
| Da1 (max) | 30 mm |
| Da2 (max) | 31 mm |
| ra (max) | 0.3 mm |
| ra1 (max) | 0.2 mm |